

# MATOS VALVES

## PRODUCT CATALOGUE



we have the wide range of products in mechanical seal suit to standard pumps like – alfalaval , akay, alekton , antico, allweller ,andritz BHEL,Durco, Ebara,flourolined, HMT, hydrovac,investa,flowserve,Jyothi,kishore,kbl,ksb,mather & platt ,microfinish,rotodel , raja dia, eurohygia,metso,sulzer,johnson,Wernet, tushaco, sam turbo, fristam grundfos & all other industrial pumps.

We also supply mechanical seals for glass lined reactor (glr),ssr, & all Agitators.

### SINGLE SPRING UNBALANCED SEAL

#### OPREATING LIMIT

Seal Size : 20mm to 150mm  
Pressure : 10Kg/Cm<sup>2</sup>  
Temp : 10<sup>o</sup>c to 210<sup>o</sup>c

Secondary Packing : Viton, EPR, NBR, PTFE  
Hardware : ss304, ss316, ss316L

#### FACE MATERIAL

Rotary Face : Carbon, sic, TC  
Stationary Face : Sic, TC, SS+TC



### CONICAL SPRING UNBALANCED SEAL

#### OPREATING LIMIT

Seal Size : 12mm to 80mm  
Pressure : 10Kg/Cm<sup>2</sup>  
Temp : -10<sup>o</sup>c to 160<sup>o</sup>c

Secondary Packing : Viton, EPR, NBR, PTFE  
Hardware : ss304, ss316, ss316L

#### FACE MATERIAL

Rotary Face : Carbon, sic, TC  
Stationary Face : Sic, TC, SS+TC



### MULTI SPRING UNBALANCED SEAL

#### OPREATING LIMIT

Seal Size : 20mm to 150mm  
Pressure : 12Kg/Cm<sup>2</sup>  
Temp : 15<sup>o</sup>c to 200<sup>o</sup>c

Secondary Packing : Viton, PTFE  
Hardware : ss304, ss316, ss316L

#### FACE MATERIAL

Rotary Face : Carbon, sic, TC  
Stationary Face : Sic, TC, SS+TC



## HELICAL SPRING UNBALANCED SEAL

### OPERATING LIMIT

Seal Size : 20mm to 120mm  
Pressure : 12Kg/Cm<sup>2</sup>  
Temp : 15c to 200c

**Secondary Packing** : Viton, PTFE

**Hardware** : ss304, ss316, ss316L

### FACE MATERIAL

Rotary Face : Carbon, sic, TC  
Stationary Face : Sic, TC, SS+TC



## ELASTOMER BELLOW UNBALANCED SEAL

(Type - 1, 2, 3)

### OPERATING LIMIT

Seal Size : 10mm to 100mm  
Pressure : 08Kg/Cm<sup>2</sup>  
Temp : 10c to 200c

**Secondary Packing** : Viton, EPR, NBR, Aflas

**Hardware** : ss304, ss316

### FACE MATERIAL

Rotary Face : Carbon, sic  
Stationary Face : Sic, TC



## TEFLON BELLOW UNBALANCED SEAL

### OPERATING LIMIT

Seal Size : 20mm, 120mm  
Pressure : 08Kg/Cm<sup>2</sup>  
Temp : -30c to 250c

**Secondary Packing** : GFT, PTFE

**Hardware** : ss304, ss316

### FACE MATERIAL

Rotary Face : Carbon, sic  
Stationary Face : Sic, TC, SS, Ceramic



## METAL BELLOW UNBALANCED SEAL

### OPERATING LIMIT

Seal Size : 25mm to 100mm  
Pressure : 20Kg/Cm<sup>2</sup>  
Temp : -20c to 350c

**Secondary Packing** : Grafoil, PTFE, Viton, Aflas, FFKM, FEP

**Hardware** : ss316, Carpenter-42

### FACE MATERIAL

Rotary Face : Carbon, sic, TC  
Stationary Face : Sic, TC  
Bellow Material : AM350



## CARTRIDGE SEALS (Single & Double)

### OPERATING LIMIT

Seal Size : 25mm to 110mm  
Pressure : 25-32bar(Max)  
Temp : -20c to 350c

**Secondary Packing** : Viton, PTFE, FEP, GFT, FFKM

**Hardware** : ss316, Hast-C, Alloy-20

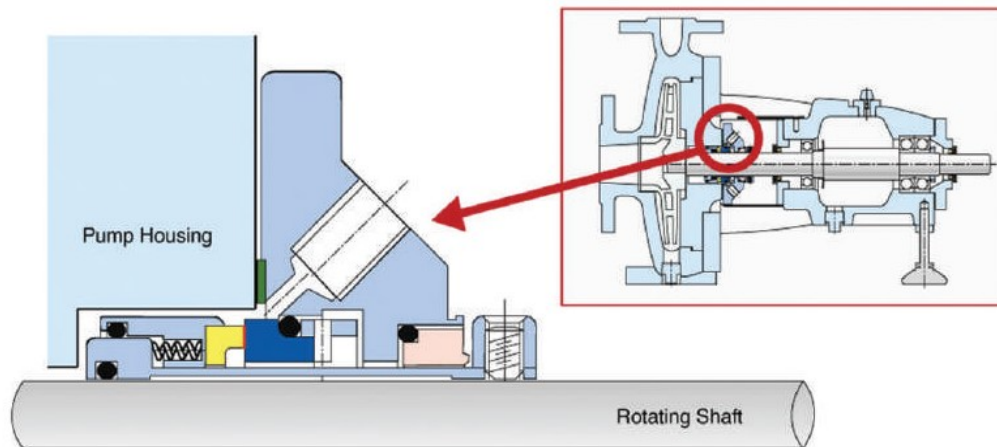
### FACE MATERIAL

Rotary Face : Carbon, Sic, TC,  
Stationary Face : Sic, TC





## Sealing Arrangement in Centrifugal Pump



### AGITATOR SEAL

#### OPERATING LIMIT

Seal Size : 25mm to 150mm  
Pressure : 40Kg/Cm<sup>2</sup>  
Temp : -20c to 250c

#### FACE MATERIAL

Faces : Carbon, sic, TC

Secondary Packing : Viton, PTFE, FFKM

Hardware : ss316, Hast-C, Alloy-20

Used in Chemical Industries, Bulk & Drugs, Dryers, Mills, Mixture.



### DRY RUNNING SEALS

#### OPERATING LIMIT

Seal Size : 25mm to 100mm  
Pressure : Full Vacuum to 6kg (Max)  
Temp : -20c to 250c

#### FACE MATERIAL

Faces : Carbon, Sic, TC, Ceramic

Secondary Packing : Viton, PTFE, FEP, Nitrile, EPR

Hardware : ss316, Hast-C, Alloy-20

Generally used for mixture, Reactor, Pharma Industries  
Specially Used in Vacuum conditions.



### MULTI SPRING BALANCE / UNBALANCE (DV1)

#### OPERATING LIMIT

Seal Size : 20mm to 120mm  
Pressure : 12Kg/Cm<sup>2</sup>  
Temp : -20c to 250c

#### FACE MATERIAL

Faces : Carbon, Sic, TC

Secondary Packing : Viton, PTFE, Nitrile, EPR

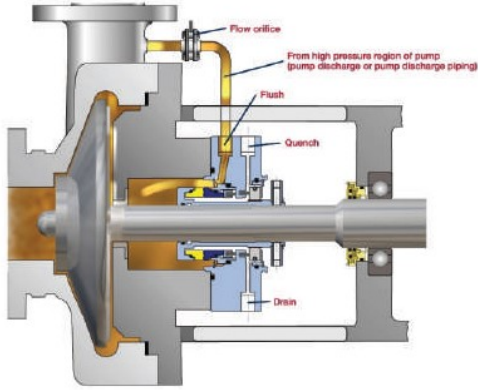
Hardware : ss316, Hast-C, Alloy-20



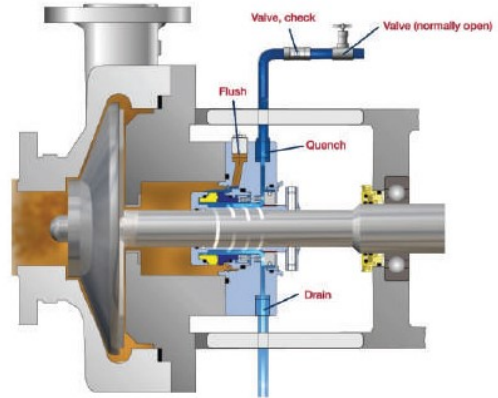
## STANDARD API PLAN

supply mechanical seals with API Plan - 11, 62, 54, 02, 01, 11/62.

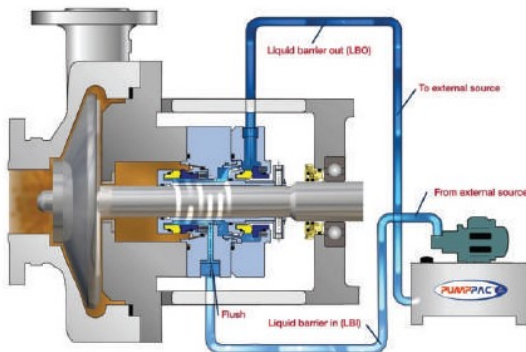
Below are some explanation of API plan in mechanical seal arrangements.



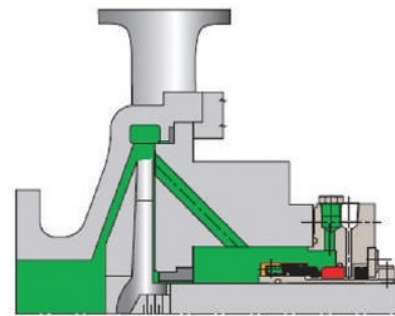
PLAN- 11



PLAN- 62



PLAN- 54



supply specially designed mechanical seal for BFP, CEP TDBOOSTER pump of all make thermal power plants like BHEL, THERMEX & Sanghai engg. make.

We supply mechanical seals for ksb(HDA series, HGC series, HGM series) , Sulzer HPT Models which are widely used in boiler feed pump of BHEL make. We also Supply BHEL 150 CJAV Pump Mechanical seal which is used in condensate extraction pump.

